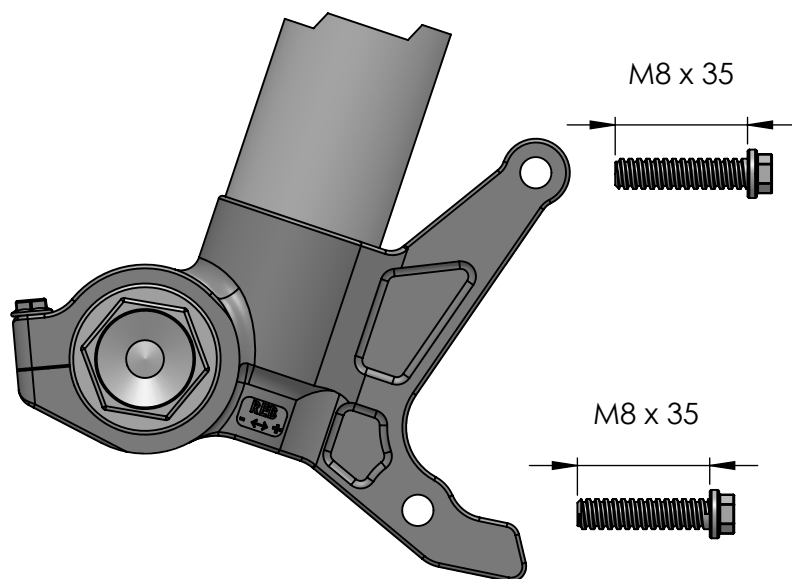


# Caliper adapter bracket mounting instructions

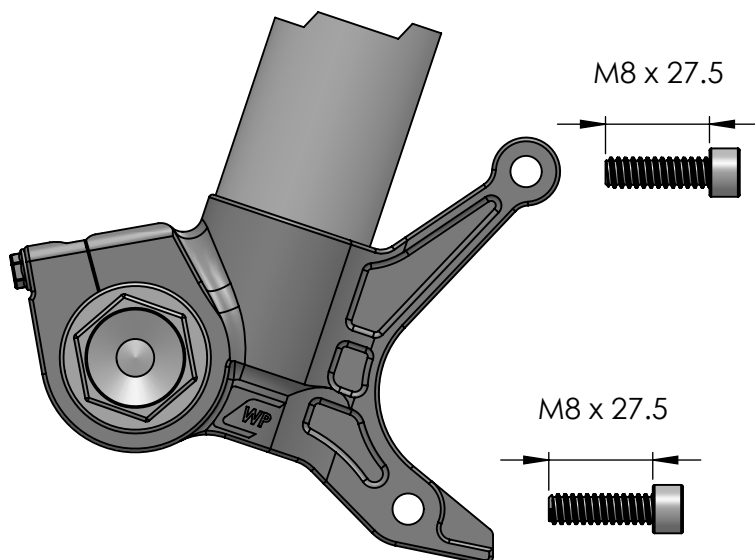
This manual applies to article: 211045 - 211054 - 211057 - 211061 - 211063

## Front Fork up to and including 2014

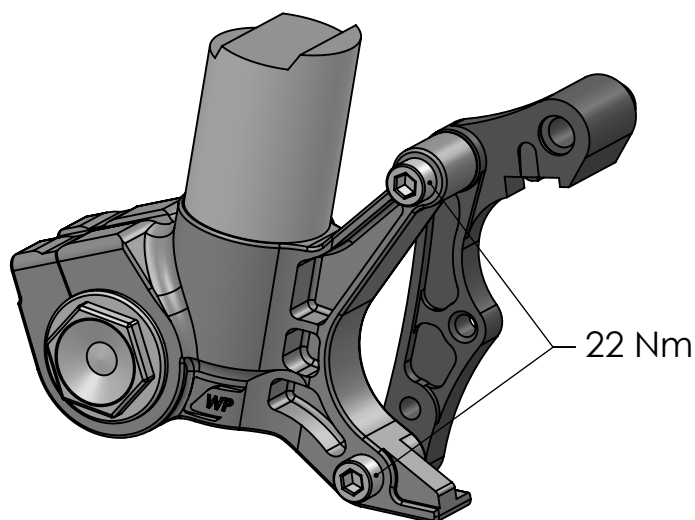


Use your motorcycle's original (OEM) M8 x 35 mm bolts to mount the caliper adapter bracket. Do not use the included Moto-Master bolts.

## Front Fork from 2015 - and up



Use the included Moto-Master M8 x 27.5 mm bolts to mount the caliper adapter bracket.



For more info, check:

[WWW.MOTO-MASTER.COM/DOWNLOADS](http://WWW.MOTO-MASTER.COM/DOWNLOADS)